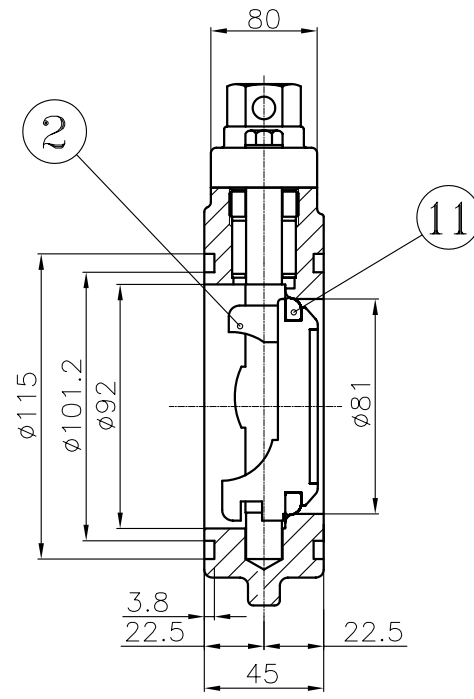
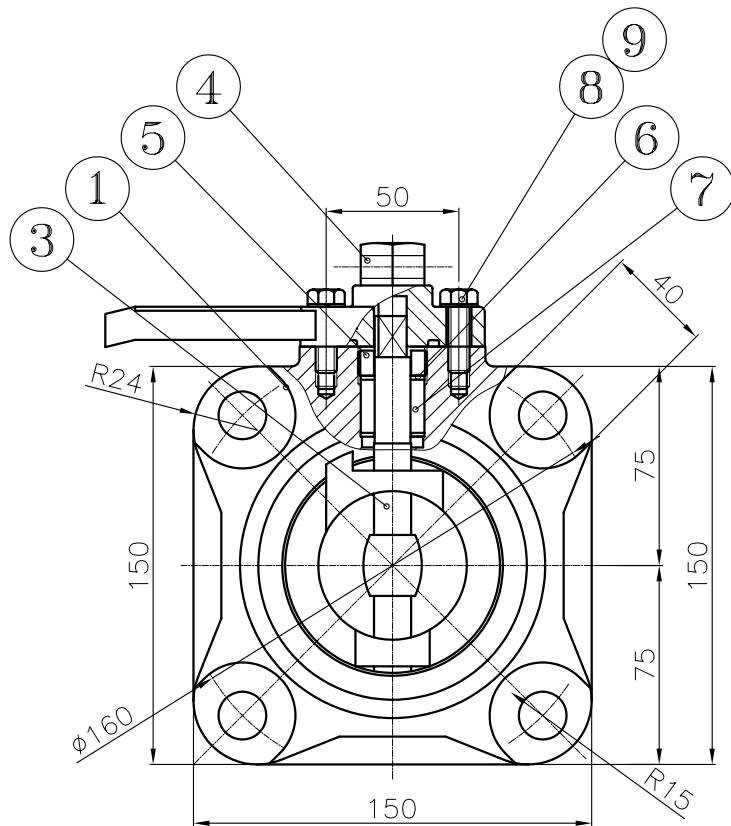


NO	MAME OF PARTS	Q'TY	MATERIAL	REMARK
1	BODY	1	SS400	BK-BF80-W01
2	FLAP	1	ALDC8~12	BK-BF80-A02
3	SHAFT	1	SS400	BK-BF80-A03
4	O-S CAP	1	ALDC8~12	BK-BF80-A04(H02)
5	PACKING BOLT	1	C3604	BK-BF80-A05
6	WASHER	2	C3604	BK-BF80-A06
7	PACKING	1	HNBR,VITON	BK-BF80-A07
8	HEX BOLT	2	STS304	M8x25L
9	S-WASHER	1	STS304	M8
10	O-RING	1	HNBR,VITON	G30
11	PACKING	1	HNBR,VITON	BK-BF80-A17



**NOTES**

1. WORKING FLUIDS : OIL
2. WORKING TEMPERATURE : -50~120°C
3. WORKING PRESSURE : 3kgf/cm
4. SURFACE TREATMENT : ANSI 70 GRAY(PAINTING)
5. FLANGE GASKET : ANSI 346

MATERIAL	DIMENSION	WEIGHT
DWG. NO. BK-BF80-W00		
TITLE		REV. NO. 0
BUTTERFLY VALVE (3") ASS'Y		
SCALE	DATE	DSN'D BY
N/S	2008.05.22	T.K.HEO
CHK'D BY	APP'D BY	

REV.	DATE	CONTENTS	DSN'D BY	CHK'D BY	APP'D BY



(주) B T X